



# C600+

## Wheel Balancer

All wheel balancers supplied by Concept Garage Equipment have been designed and manufactured with durability, affordability and safety in mind.

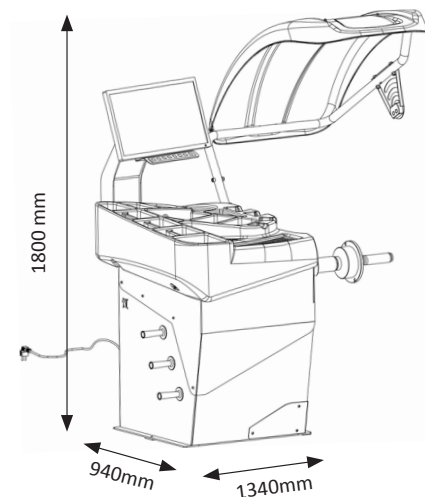
Our C600+ wheel balancer is our flagship wheel balancer and is the most advanced wheel balancer in our range and also available on the market today. The price tag on this machine compared to its competition is one to be admired. Compared to its competition you will notice that the list of features that come with this machine is extensive. At Concept Garage Equipment we wanted to include some features with all our machines that puts us above our competition for affordability and value for money. This machine benefits from features such as a 22" LCD screen, pneumatic wheel locking system, automatic distance measuring, a positioning laser, automatic stopping function, automatic sonar measuring plus much more. Our C600+ wheel balancer has been designed and built for busy tyre shops and garages with speed and accuracy in mind. This is an extremely easy machine to operate and makes light work of balancing wheels with high accuracy. This machine also benefits from a two-year parts and labour warranty giving you the confidence that you are purchasing a reliable wheel balancer. All our wheel balancers have been tested and certified to CE standards.

### FEATURES

- 22" High-definition LCD screen
- Pneumatic locking system
- Automatic distance & diameter measuring
- Dynamic balancing standard with 7 ALU modes
- Automatic width sonar measuring
- Auto stop function
- Weight position laser
- Professional motorcycle balance mode
- Aluminium ruler head up to 24"
- Self-diagnosis for easy problem solving
- Static and dynamic balancing
- Self-diagnostic programme for ease of use and fault finding
- Tyre safety guard
- 2 years parts and labour warranty

### TECH DATA

Max wheel weight:	70 kg
Balancing speed:	200 RPM
Motor power:	0.2kw/0.37kw
Rim diameter:	10"-24"
Power supply:	220v/110v
Balancing accuracy:	1g



[www.concept-ge.co.uk](http://www.concept-ge.co.uk) ● [info@concept-ge.co.uk](mailto:info@concept-ge.co.uk) ● Call 01302 203 888

Why not visit our showroom located in Doncaster, South Yorkshire, and see the quality for yourself before you purchase. Please request more details or book an appointment. Unit 4, Westmoor Park Network Centre, Doncaster DN3 3GW.