



MR3.5

Mobile Scissor Lift

All lifts supplied by Concept Garage Equipment have been designed and manufactured with durability, affordability and safety in mind.

Our MR3.5 mid-rise mobile scissor car lift is the perfect addition to any workshop. This lift comes with all the tools you need to locate it anywhere within your garage. Whether you're a busy workshop, a home user or car detailer this lift is the ideal solution for workshops with limited space. The MR3.5 car mid-rise scissor lift comes as standard with extendable platforms increasing the overall length from 1400mm to 1740mm, automatic locking safety system, height limit safety switch system, fully enclosed

motor in a mobile cabinet plus lifting blocks. All in all, this lift is one of the most versatile mid-rise scissor lifts on the market putting it above its competition. The MR3.5 mid-rise scissor lift also benefits from two-year parts and labour warranty giving you the confidence that you are purchasing a reliable lift. All our lifts have been tested and certified to CE standards.

Please note: no air compressor is required for this lift.

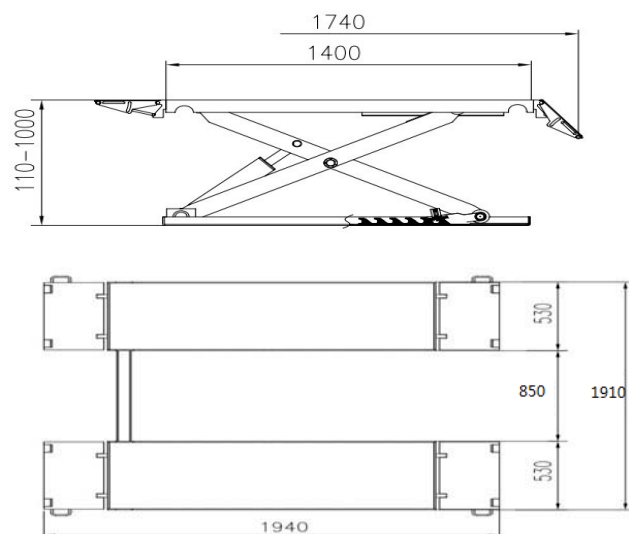
FEATURES

- Mid-rise short platform mobile scissor lift
- Lockable run on ramps for platform extensions
- Rubber lifting blocks included
- Safety limit switches
- Mobile kit included
- Automatic locking release system
- Fully enclosed control panel
- No air compressor required
- 2 years parts and labour warranty



TECH DATA

Max Lifting Capacity:	3500kg
Drive on height:	110mm
Lifting height:	1000mm
Lifting time:	30 seconds
Platform length:	1400mm – 1940mm extended
Platform width:	530mm
Motor power:	2.2Kw
Power supply:	240v



www.concept-ge.co.uk ● info@concept-ge.co.uk ● Call 01302 203 888

Why not visit our showroom located in Doncaster, South Yorkshire, and see the quality for yourself before you purchase. Please request more details or book an appointment. Unit 4, Westmoor Park Network Centre, Doncaster DN3 3GW.